

# H4 Fisheye Camera Line

The Avigilon H4 Fisheye camera line is designed to provide a complete high resolution 360-degree panoramic view of a scene with no blind spots. The H4 Fisheye camera line is a cost-effective, easy-to-install solution designed to provide clear image detail and broad coverage with fewer cameras.

By providing quality imaging and situational awareness, the H4 Fisheye camera is an essential component of the complete Avigilon solution and a valuable addition to any existing surveillance solution.



The H4 Fisheye has a sleek, low-profile design making it suitable for installations where aesthetics are important and allowing it to fit in with architectural features without detracting from the surroundings. Its IK10-rated, vandal-proof and IP66 weather protected housing is ideal for indoor and outdoor environments such as retail stores, theatres, gas stations, manufacturing, healthcare, commercial and educational facilities.

Built on the H4 platform, the H4 Fisheye is available in 6 and 12 megapixel (MP) camera resolutions. It delivers exceptional image quality even in harsh environments and lighting conditions, and keeps bandwidth and storage to a minimum. Its content adaptive IR technology provides effective brightness while maintaining excellent scene illumination in dark environments. The H4 Fisheye also allows users to zoom in, focus and investigate a region of interest (ROI) in live or recorded video while preserving full situational awareness.

Harnessing the strength of Avigilon Control Center (ACC) software, High Definition Stream Management (HDSM) technology and idle scene mode technology, the H4 Fisheye camera intelligently and efficiently manages video data, lowering bandwidth and storage. The powerful client-side de-warping coupled with virtual PTZ technology allows easy navigation through live or recorded video, enabling security operators to view and track an object of interest from point A to B.

## KEY FEATURES

6.0 and 12.0 megapixel resolution models

360 degree field of view fisheye lens

Patented High Definition Stream Management (HDSM) Technology

Content adaptive IR technology provides effective illumination through the field of view, while maintaining excellent scene illumination

Integrated IR (Infrared) LEDs provide uniform illumination in the dark, even at 0 lux, up to a maximum of 10 m (32.8 ft) away

Idle Scene Mode lowers bandwidth and storage usage if there are no motion events detected in the scene

IP66 certification offers total dust ingress protection and protection against high-pressure water jets

Avigilon LightCatcher™ technology provides exceptional image quality in low light environments

Vandal resistant with IK10 impact rating

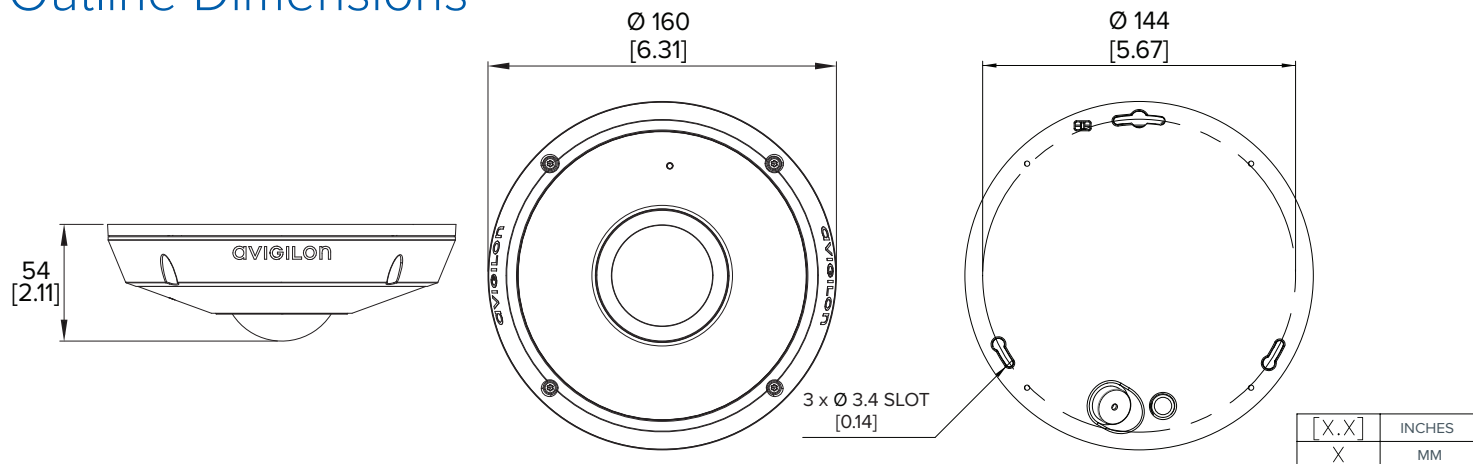
ONVIF® Profile S and Profile T Compliant

ONVIF is a trademark of Onvif, Inc.

# Specifications

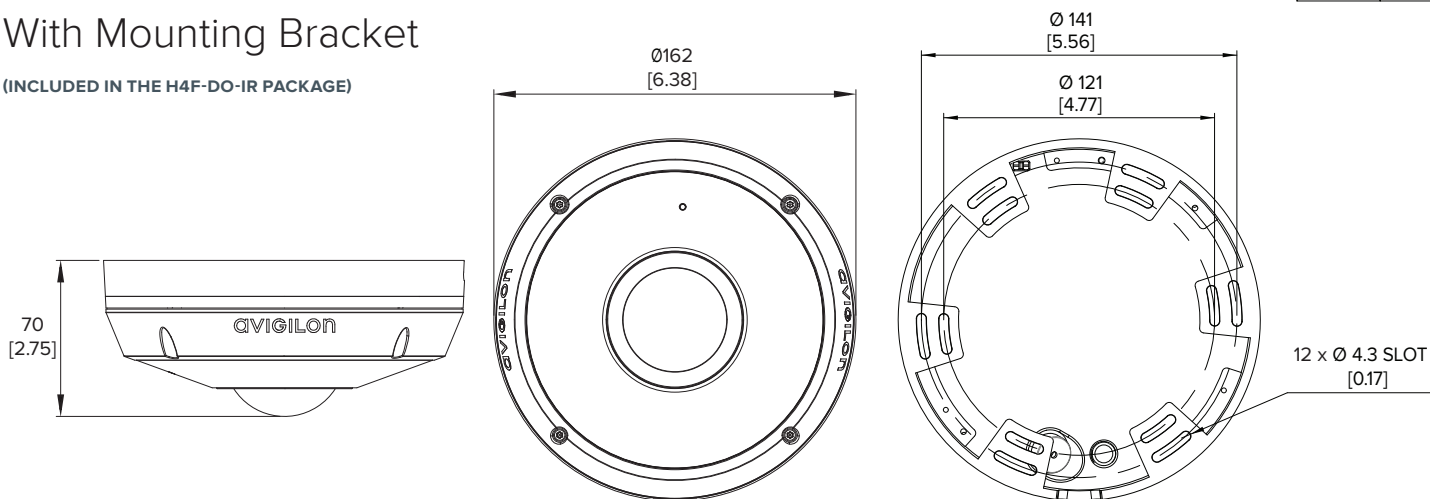
		6.0 MP	12.0 MP							
<b>IMAGE PERFORMANCE</b>	Image Sensor	1/1.8" progressive scan CMOS	1/2.3" progressive scan CMOS							
	Active Pixels (H x V)	2000 x 2000	2992 x 2992							
	Imaging Area (H x V)	4.8mm x 4.8mm (0.189" x 0.189")	4.6mm x 4.6mm (0.180" x 0.180")							
	IR Illumination	up to 10 m (32.8 ft)								
	Minimum Illumination	0.13 lux (F2.2) in color mode; 0 lux (F2.2) in monochrome mode with IR								
	Image Rate	H.264	30 fps	20 fps						
		MJPEG	15 fps	10 fps						
	Dynamic Range	93 dB	81 dB							
	3D Noise Reduction Filter	Yes	Yes							
<b>LENS</b>	Lens	1.45 mm, F/2.2								
	Horizontal Angle of View	180° hemisphere								
	Field of View	360°								
<b>IMAGE CONTROL</b>	Image Compression Method	H.264 (MPEG-4 Part 10/AVC), Motion JPEG								
	Streaming	Multi-stream H.264 and Motion JPEG								
	Bandwidth Management	HDSM™; Idle Scene Mode								
	Motion Detection	Pixel motion								
	Tamper Detection	Yes								
	Electronic Shutter Control	Automatic, Manual (1/7 to 1/8000 sec)								
	Iris Control	Fixed								
	Day/Night Control	Automatic, Manual								
	Flicker Control	50 Hz, 60 Hz								
	White Balance	Automatic, Manual								
	Backlight Compensation	Adjustable								
Privacy Zones	Up to 64 zones									
<b>NETWORK</b>	Network	100BASE-TX								
	Cabling Type	CAT5								
	Connector	RJ-45								
	ONVIF	ONVIF Profile S and Profile T Compliant								
	Security	Password protection, HTTPS encryption, digest authentication, WS authentication, user access log, 802.1x port based authentication								
	Protocol	IPv6, IPv4, HTTP, HTTPS, SOAP, DNS, NTP, RTSP, RTCP, RTP, TCP, UDP, IGMP, ICMP, DHCP, Zeroconf, ARP								
	Streaming Protocols	RTP/UDP, RTP/UDP multicast, RTP/RTSP/TCP, RTP/RTSP/HTTP/TCP, RTP/RTSP/HTTPS/TCP, HTTP								
	Device Management Protocols	SNMP v2c, SNMP v3								
<b>PERIPHERALS</b>	Audio Input/Output	Line level I/O and internal microphone (can be enabled)								
	Audio Compression Method	G.711 8kHz								
	External I/O Terminals	Alarm In, Alarm Out								
	Onboard Storage	microSDHC/microSDXC/UHS-1 – minimum class 10 or better recommended								
<b>MECHANICAL</b>	Dimensions (ØxH)	Camera	160 mm x 51 mm; 6.2" x 2.0"							
		With bracket	162mm x 70mm; 6.38" x 2.75"							
		With NPT	160mm x 124mm; 6.31" x 4.89"							
	Weight	Camera	0.826 kg; 1.77 lbs							
		With bracket	0.94 kg; 2.07 lbs							
		With NPT	1.138 kg; 2.5 lbs							
	Body	Aluminum								
Housing	Vandal resistant. Surface mount; or pendant mount with NPT adapter.									
Finish	Powder coat, RAL 9003									
<b>ELECTRICAL</b>	Power Consumption	25.5 W max								
	Power Source	VDC: 12 V +/-10%, 2.125 A min., L.P.S. per IEC 60950-1								
		PoE: IEEE 802.3af Class 3; PoE+: IEEE 802.3at Class 4								
	Power Connector	DC power input adapter								
RTC Backup Battery	3V manganese lithium									
<b>ENVIRONMENTAL</b>	Operating Temperature	-40 °C to +55 °C (-40 °F to 131 °F) with 12 V DC or PoE+ power								
		-20 °C to +55 °C (-4 °F to 131 °F) with PoE power								
	IR Illuminator Behavior	IR illuminator power is reduced to 8 m (26.2 ft) when PoE is used. IR illuminator will not turn on if temperature is 45 °C (113 °F) or higher.								
	Storage Temperature	-25°C to +50 °C (-13 °F to 122 °F)								
Humidity	0 - 95% non-condensing									
<b>CERTIFICATIONS</b>	Certifications/Directives	UL	cUL	CE	ROHS	WEEE	RCM	EAC	KC	
	Safety	UL 60950-1		CSA 60950-1	IEC/EN 60950-1		IEC 62471			
	Environmental	IK10 Impact Rating (camera housing only)				UL/CSA/IEC 60950-22		IEC 60529 IP66 Rating		
	Electromagnetic Emissions	FCC Part 15		IC ICES-003 Class B		EN 55032	EN 61000-6-3	EN 61000-3-2	EN 61000-3-3 KN 32	
	Electromagnetic Immunity	EN 55024				EN 61000-6-1		KN 35		

# Outline Dimensions



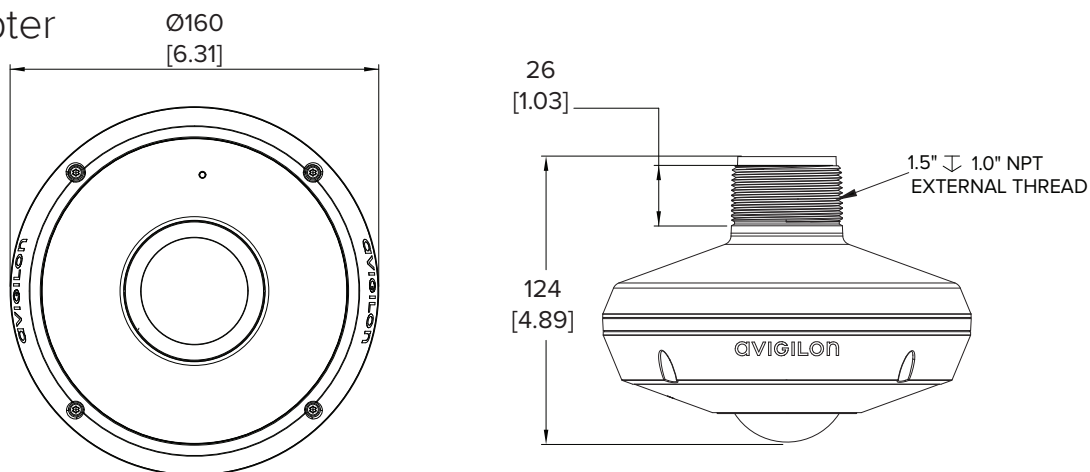
## With Mounting Bracket

(INCLUDED IN THE H4F-DO-IR PACKAGE)



## With NPT Adapter

(H4F-DO-IR + H4F-MT-NPTA1)



# Ordering Information

	MP	LightCatcher Technology	Lens	IR	HDSM SmartCodec™
6.0L-H4F-DO1-IR	6.0	✓	Fisheye	✓	✓
12.0-H4F-DO1-IR	12.0		Fisheye	✓	✓

H4F-MT-NPTA1	NPT adapter for the Fisheye Dome Camera				
CM-MT-WALL1	Pendant wall mount, compatible with H4F-MT-NPTA1				
H4-MT-CRNR1	Aluminum corner mounting bracket, compatible with CM-MT-WALL1				